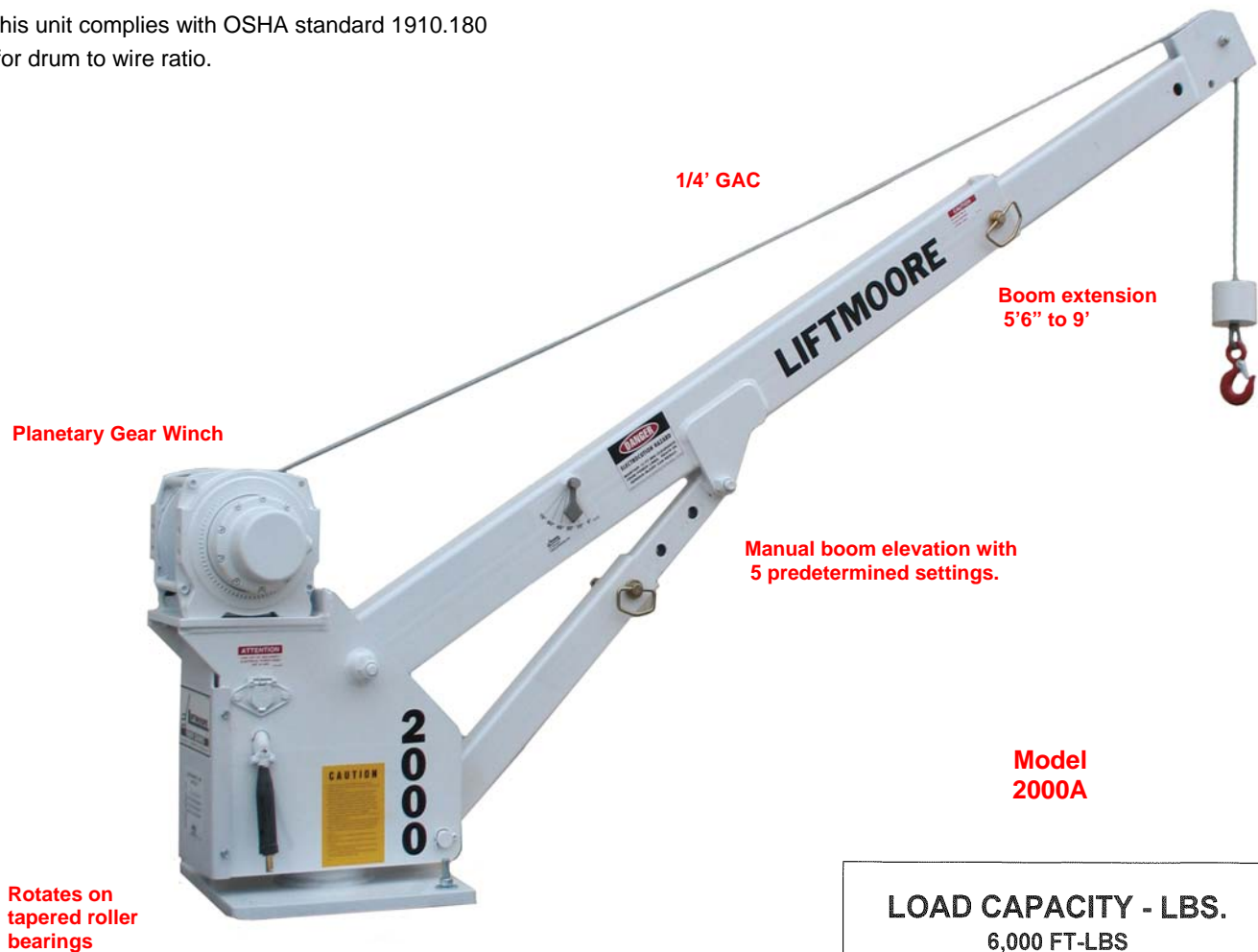


LIFTMOORE 2000 CRANE


6,000 FT.-LB. MOMENT RATING
2,000 LB. MAXIMUM CAPACITY.

- The Model 2000 Liftmoore crane with its 2,000 lb capacity is designed for one man operation.
- A manually telescoping boom from 5' 6" to 9' is standard.
- 360 degree manual rotation is standard on the 2000A. The crane rotates on tapered roller bearings. A friction brake helps to control boom swing.
- Boom elevation is manual with 5 predetermined settings.
- The efficient planetary gear winch is powered by a 12-Volt battery driven permanent magnet motor for best possible efficiency.
- This unit complies with OSHA standard 1910.180 for drum to wire ratio.



LOAD CAPACITY - LBS.	
6,000 FT.-LBS	
	0° 16° 33° 51° 74°
5'4"	1111 1154 1333 1818 2000
7'2"	833 882 1017 1395 2000
8'9"	674 706 822 1132 2000

BOOM LENGTH - FT.



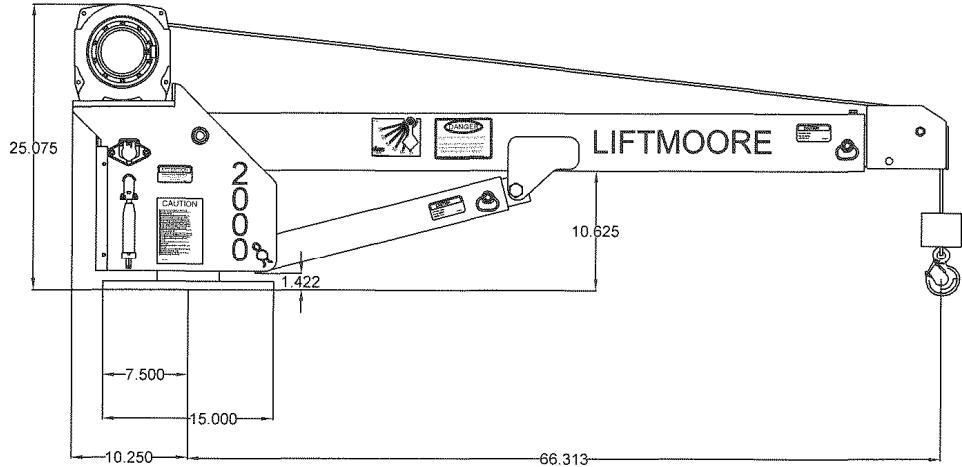
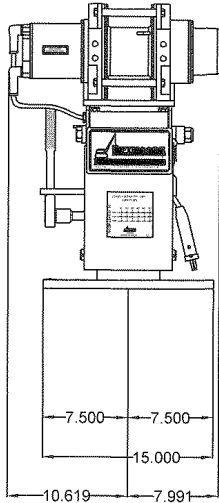
713-688-5533
WWW.LIFTMOORE.COM

22791



HOUSTON, TEXAS
FAX: (800) 824-5559 (USA & Canada)
FAX: (713) 688-6324
PHONE: (713) 688-5533
www.liftmoore.com

2000 SPECIFICATIONS



MOMENT RATING:
6,000 Ft.-Lbs.

LIFT CAPACITIES
2000 lbs. @ 3 Ft.
1200 lbs. @ 5 Ft.
1000 lbs. @ 6 Ft.
857 lbs. @ 7 Ft.
660 lbs. @ 9 Ft.

HOIST WINCH:
The hoist winch uses a planetary gear drive for best possible efficiency. A 2.7 HP permanent magnet electric motor powers the winch. Single line capacity of the winch is 2000 Lbs. Load is controlled by a load apportioned mechanical brake located in the winch drum. Ratio between winch drum and wire rope meets ANSI B30.5 requirements.

First layer performance of the winch is as follows:

Load-Lbs	Hook Speed-Ft/ Min.	Electrical-Amps @ 12VDC
1000	13.1	64
2000	11.9	115

WIRE ROPE and SHEAVES:
The crane is supplied with 40 Ft. of ¼ in. galvanized aircraft cable. Minimum breaking strength of the rope is 7000 lbs. The wire rope is outside of the boom and visible for the operators continual inspection.

BOOM:
Standard boom length is 5.5 ft. manually telescoping to 9 Ft. with an intermediate position.

ROTATION SYSTEM:
The crane rotates 360 degrees on tapered roller bearings. A manual band brake is provided to help control swing.

REMOTE PENDANT:
A 12-Ft. long remote pendant is provided for control of the winch operation and is removable to prevent unauthorized use of the crane.

LOAD SENSOR (optional)
A load-limiting sensor can be installed which will shut off winch up movement when an overload is detected. The sensor will reset after the load is lowered.

POWER SOURCE:
The crane is powered by the truck's 12-volt DC system. A second battery is recommended to keep the voltage as high as possible and should be installed in parallel with the vehicle's battery. A Group 31"DEEP CYCLE" battery is recommended. 25 Ft of # 4 battery cable with quick disconnect is included along with a 3-ft ground wire and 150 amp circuit breaker.

MOUNTING: A minimum 9,000 Lb. GVWR recommended.
Four 0.50" X3.0" long Grade 8 hex head cap screws and lock nuts are provided. Mounting plate is 15" square with a 12" square bolt pattern.

JACKSTAND:
An optional Jackstand is recommended for stability. The Jackstand keeps the truck level when the load is lifted and helps to reduce the load on the crane's rotation mechanism and the truck's suspension.



HOUSTON, TEXAS
FAX: (800) 824-5559 (USA & Canada)
FAX: (713) 688-6324
PHONE: (713) 688-5533
www.liftmoore.com